

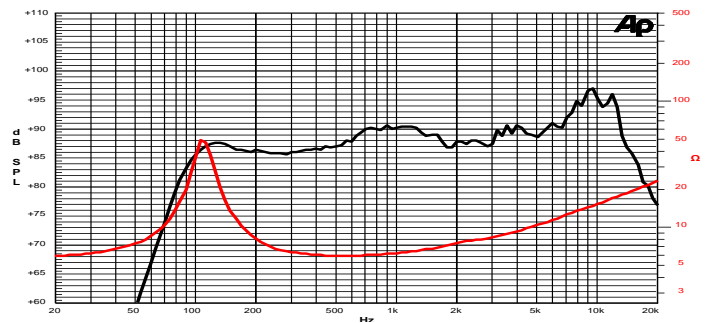
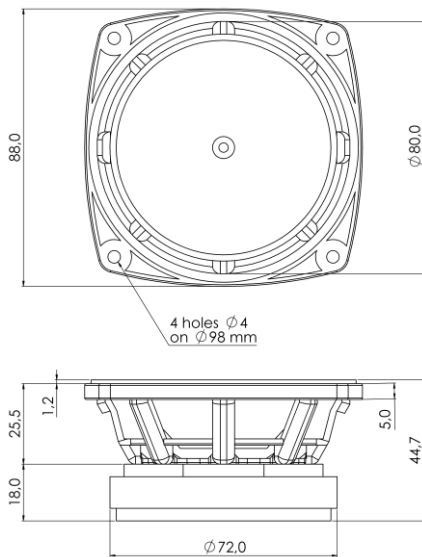
3,5 F 1 CS 8Ω

3,5" | 90 W

Code Z000960

Professional

- 1" voice coil Kapton former
- **WpT** Waterproof Cone Treatment
- Ferrite Magnet Circuit
- 88.5 dB sensitivity
- Frequency Range 110-12000 Hz



Frequency Response on 5.5 Lt @ 110 Hz Vented Box @ 1W, 1m
Free Air Impedance

General Specifications

Nominal Diameter	88 mm (3.5")
Nominal Impedance	8 Ω
Rated Power AES ⁽¹⁾	45 W
Continuous Program Power ⁽²⁾	90 W
Sensitivity @ 1W/1m ⁽³⁾	88.5 dB
Voice Coil Diameter	25 mm (1")
Voice Coil Winding Depth	6 mm
Magnetic Gap Depth	4 mm
Flux Density	1.04 T
Magnet Weight	160 g
Net Weight	0.4 kg

Thiele & Small Parameters ⁽⁴⁾

R_e	5.0 Ω	F_s	107.0 Hz
Q_{ms}	6.52	Q_{es}	0.63
Q_{ts}	0.57	M_{ms}	3.3 g
C_{ms}	670 μm/N	B_{xl}	4.20 Tm
V_{as}	1.4 l	S_d	38.5 cm ²
$X_{max}^{(5)}$	+/-1.5 mm	$X_{var}^{(6)}$	+/-3.1 mm
η_0	0.26 %	L_e (1kHz)	0.21 mH

Constructive Characteristics

Magnet	Ferrite
Basket Material	Nylon Fiberglass Doped
Voice Coil Winding Material	Copper
Voice Coil Former Material	Kapton
Cone Material	Paper
Cone Treatment	Surface Waterproof Treatment
Surround Material	Rubber
Dust Dome Material	Treated Cloth

Mounting Information

Overall Dimensions	88 mm
Baffle Cutout Diameter	81 mm
Mounting Holes	4 holes ø4 on ø98 mm
Total Depth	44.7 mm

(1) Rated Power measured with 2-hour test with pink noise signal, 6dB crest factor, loudspeaker in free air, power calculated on rated Zmin. (2) Power on Continuous Program is defined as 3dB greater than the Rated Power. (3) Calculated by Thiele & Small parameters, for SPL average in box refer to frequency response. (4) Thiele & Small parameters measured with laser system after preconditioning test. (5) Measured with respect to a THD of 10%. (6) Value corresponding to a decay of the Force Factor, or Compliance, or both, equal to the 50% of the small signal value. (7) Drawing dimensions: mm.