

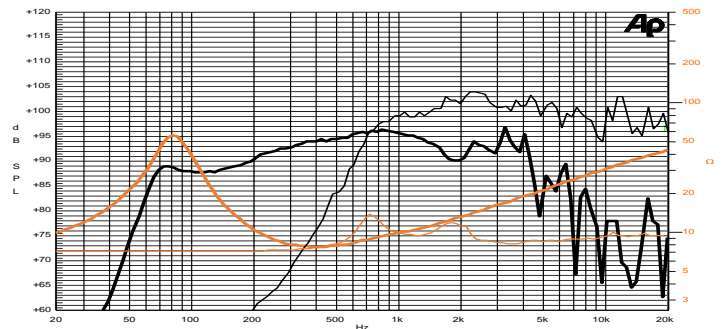
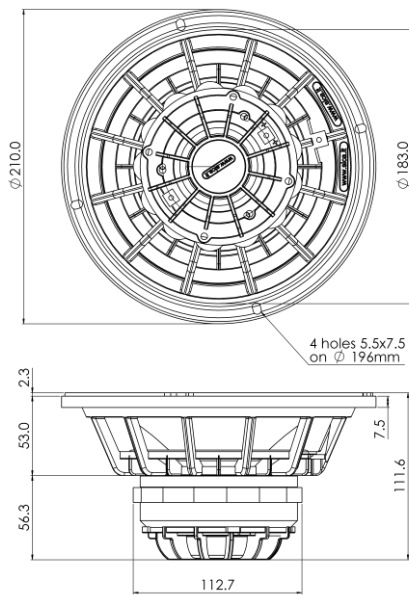
## 8 Cx 2,5 PL 8+8Ω

8" | 600 W

Code Z005209P-8+8

Coaxial

- SNDW** LF 2,5" Sandwich voice coil Fiberglass former and Aluminium Winding
- HF** Polyimide dome 1,7" voice coil Flat Aluminium wire
- DAR** Cloth surround with Double Asymmetric Rolls Technology (DAR)
- WpT** Waterproof Cone Treatment
- Neodymium Magnet Circuit**
- 100° nominal coverage**
- 96.7 dB sensitivity**
- Frequency Range 75-20000 Hz**



Frequency Response on 25 Lt @ 65 Hz Vented Box @ 1W, 1m  
Free Air Impedance

General Specifications	LF Unit	HF Unit
Nominal Diameter	210 mm (8")	
Nominal Impedance	8 Ω	8 Ω
Rated Power AES <sup>(1)</sup>	300 W	60 W
Continuous Program Power <sup>(2)</sup>	600 W	120 W
Sensitivity @ 1W/1m <sup>(3)</sup>	96.7 dB	101.3 dB
Voice Coil Diameter	65 mm (2,5 in)	44 mm (1.7 in)
Voice Coil Winding Depth	15 mm	2.6 mm
Magnetic Gap Depth	8 mm	3 mm
HF Recomm. Crossover Frequency	1.6 kHz	
Magnet Weight	364 g	
Net Weight	2.3 kg	

### Thiele & Small Parameters <sup>(4)</sup>

Re (LF)	5.6 Ω	Fs (LF)	74.0 Hz
Re (HF)	6.0 Ω	Fs (HF)	700 Hz
Qms	2.63	Qes	0.32
Qts	0.28	Mms	18.5 g
Cms	251 μm/N	Bxl	12.34 Tm
Vas	16.2 l	Sd	213.8 cm <sup>2</sup>
X max <sup>(5)</sup>	+/-5.0 mm	X var <sup>(6)</sup>	+/-6.5 mm
η <sub>o</sub>	1.99 %	Le (1kHz)	0.60 mH

### Constructive Characteristics

Magnet	Neodymium
Basket Material	Aluminium Die-Cast
LF Voice Coil Winding/Former Material	Aluminium / Fiberglass
HF Voice Coil Winding/Former Material	Aluminium Flat Wire / Kapton
LF Cone Material	Paper
HF Dome Material	Polyimide
Surround Material	Treated Cloth
HF Spare Part Code	Z009396P-FI

### Mounting Information

Overall Diameter	210 mm
Baffle Cutout Diameter	184 mm
Mounting Holes	4 holes 5,5x7,5 on ø196 mm
Total Depth	111.6 mm

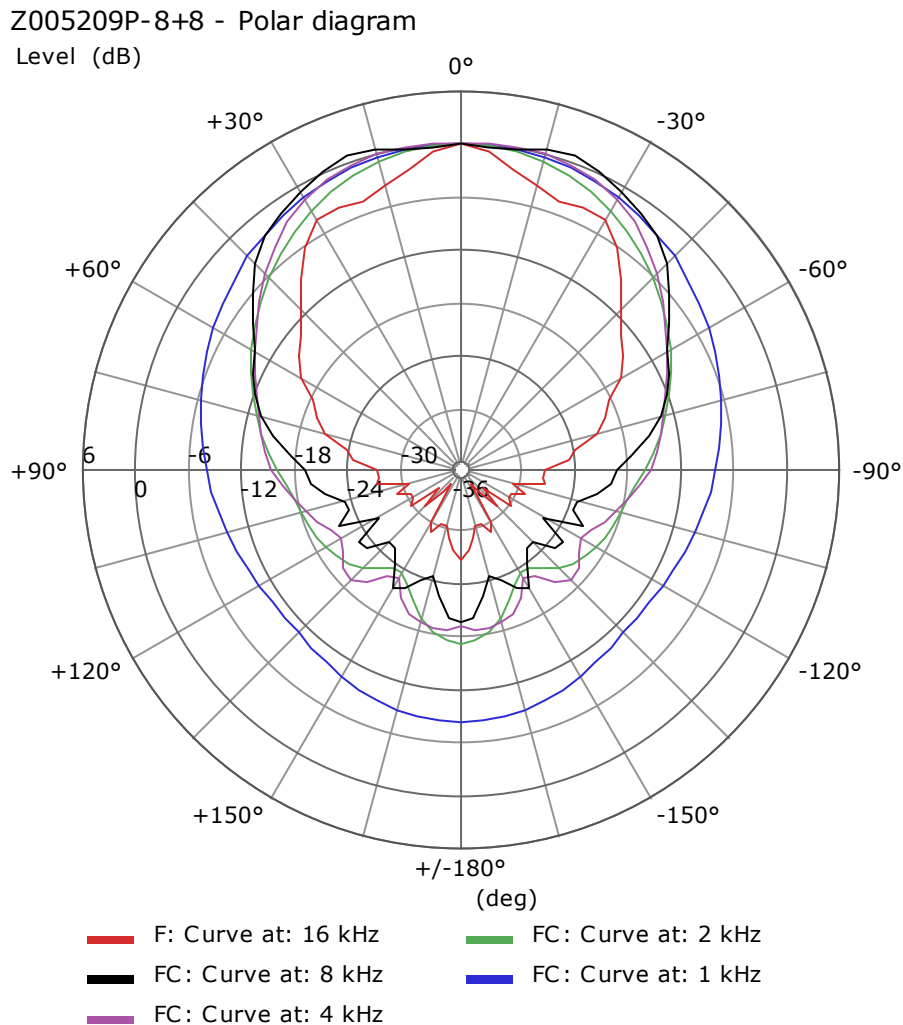
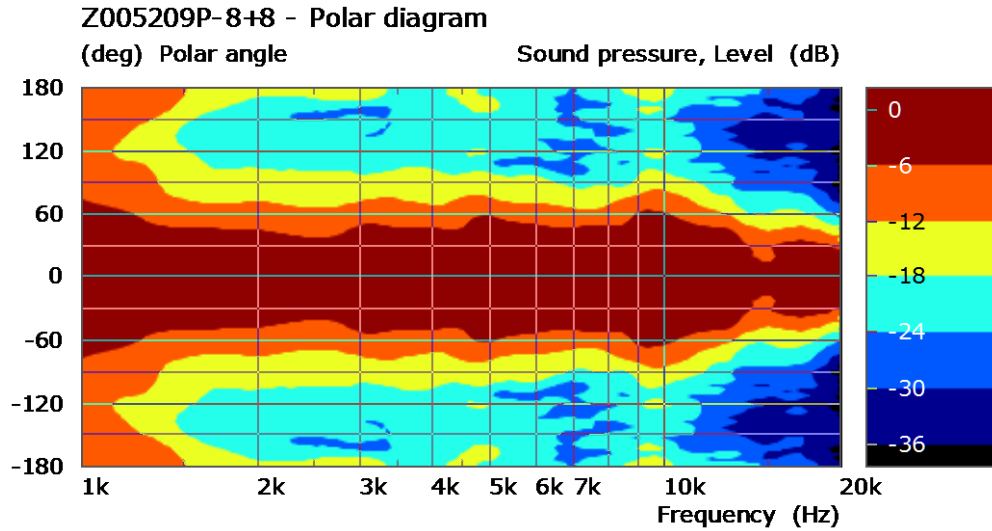
(1) Rated Power measured with 2-hour test with pink noise signal, 6dB crest factor, loudspeaker in free air, power calculated on rated Zmin. (2) Power on Continuous Program is defined as 3dB greater than the Rated Power. (3) Calculated by Thiele & Small parameters, for SPL average in box refer to frequency response. (4) Thiele & Small parameters measured with laser system after preconditioning test. (5) Measured with respect to a THD of 10%. (6) Value corresponding to a decay of the Force Factor, or Compliance, or both, equal to the 50% of the small signal value. (7) Drawing dimensions: mm.

**8 Cx 2,5 PL 8+8Ω**

**8" | 600 W**

**Code** Z005209P-8+8

Coaxial



(1) Rated Power measured with 2-hour test with pink noise signal, 6dB crest factor, loudspeaker in free air, power calculated on rated Zmin. (2) Power on Continuous Program is defined as 3dB greater than the Rated Power. (3) Calculated by Thiele & Small parameters, for SPL average in box refer to frequency response. (4) Thiele & Small parameters measured with laser system after preconditioning test. (5) Measured with respect to a THD of 10%. (6) Value corresponding to a decay of the Force Factor, or Compliance, or both, equal to the 50% of the small signal value. (7) Drawing dimensions: mm.