

GENERAL CHARACTERISTICS

Nominal Overall Diameter	268	mm
Nominal Voice Coil Diameter	50	mm
Magnet Weight	200	g
Flux Density.....	1.02	T
Weight.....	2.40	Kg

THIELE-SMALL PARAMETERS

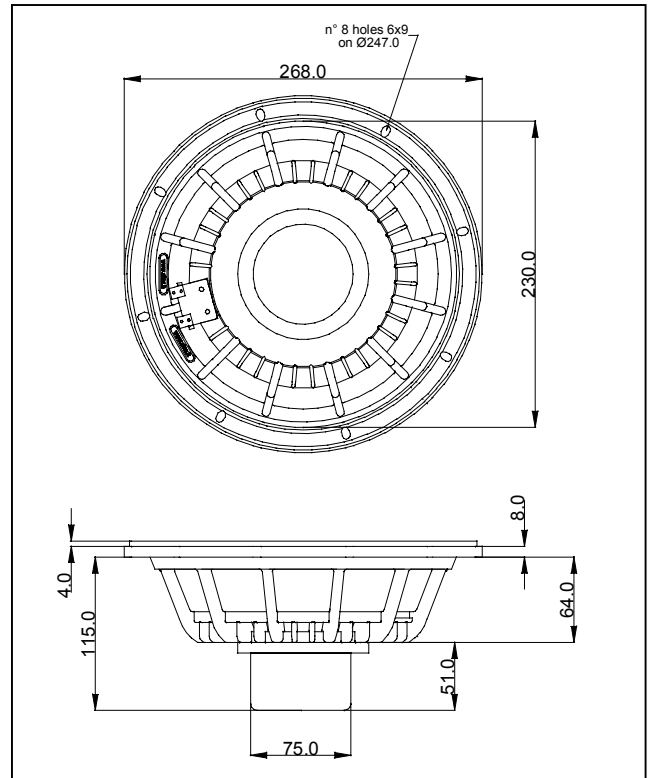
Voice Coil DC Resistance	R_E	3.16	Ω
Resonance Frequency	f_s	33.6	Hz
Mechanical Q Factor.....	Q_{MS}	4.28	
Electrical Q Factor.....	Q_{ES}	0.47	
Total Q Factor	Q_{TS}	0.42	
Mechanical Moving Mass	M_{MS}	59.6	g
Mechanical Compliance	C_{MS}	380	μm/N
Force Factor	$B \times l$	9.21	Wb/m
Equivalent Acoustic Volume.....	V_{AS}	66.5	lt.
Maximum Linear Displacement	X_{MAX}	+/-6.5	mm
Reference Efficiency	η_0	0.52	%
Diaphragm Area	S_D	353.0	cm ²
Losses Electrical Resistance.....	R_{ES}	28.9	Ω
Voice Coil Inductance @ 1kHz	L_E	0.58	mH

CONSTRUCTIVE CHARACTERISTICS

Magnet.....	Neodymium
Voice Coil Winding.....	Copper
Voice Coil Former.....	Kapton
Cone	Paper
Surround.....	Rubber
Dust Dome	Solid Paper
Basket	Aluminium Die-Cast

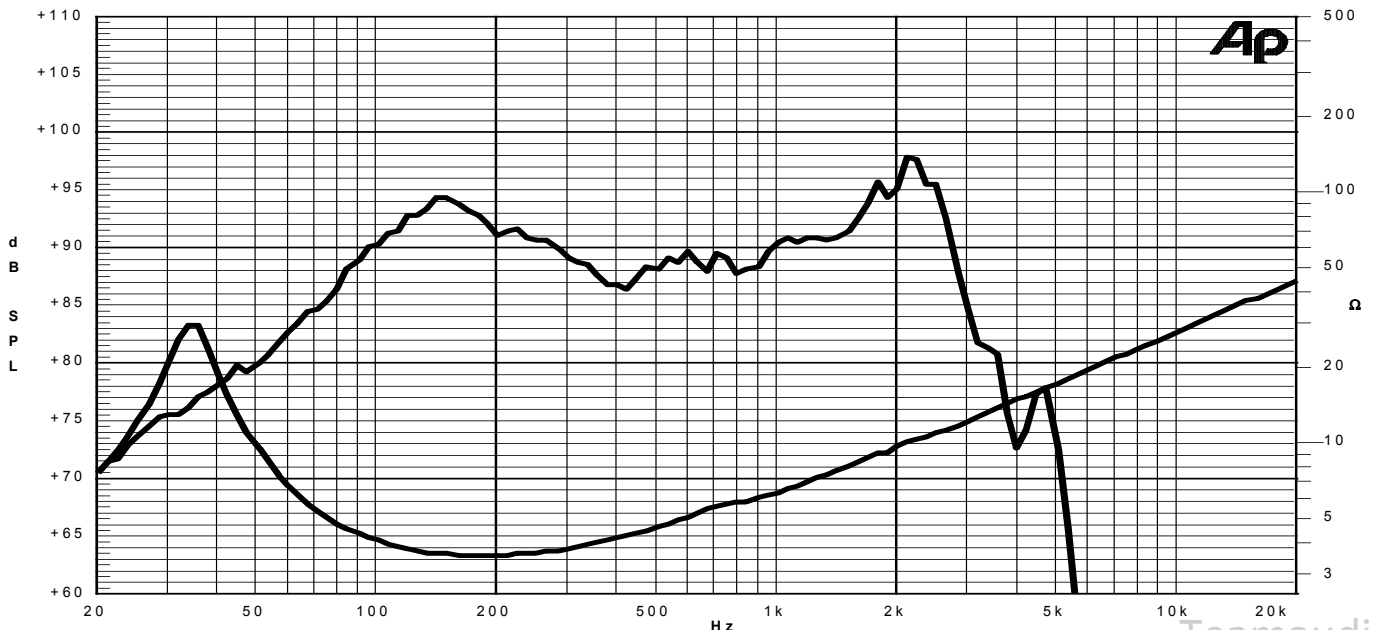
ELECTRICAL CHARACTERISTICS

Nominal Impedance.....	4	Ω
Musical Power	300	W
Rated Power*	150	W
Sensitivity @ 1 W, 1 m	90.3	dB



*rated power measured with 2 hours test with pink noise signal, 6 dB crest factor, loudspeaker mounted on enclosure
Thiele-Small parameters measured with LASER system

Frequency Response on IEC Baffle (DIN 45575) @ 1 W, 1 m - Impedance



Due to continuing product improvement, the features and the design are subject to change without notice. 06/02/07