

10" - 300W HI-FI Woofer

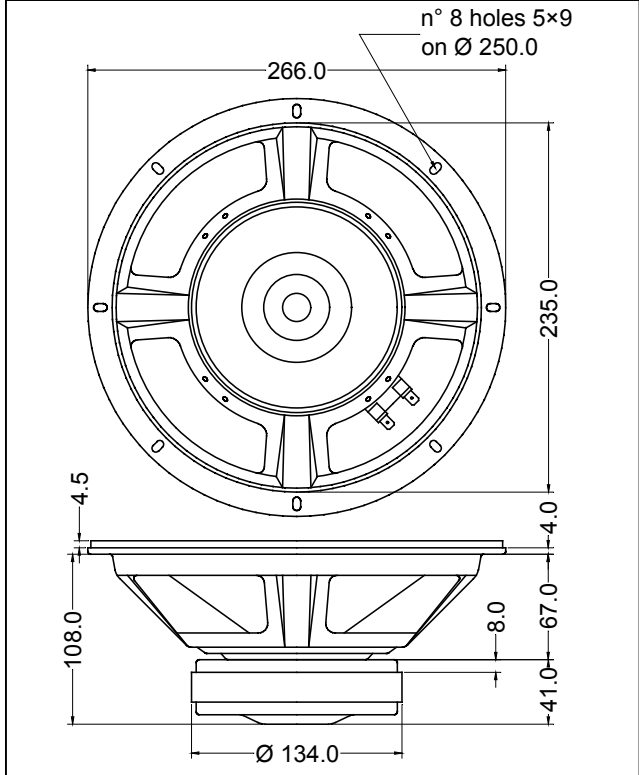
10 H 2 CS - 8 Ω

Code Z006720

GENERAL CHARACTERISTICS		
Nominal Overall Diameter	266	mm
Nominal Voice Coil Diameter	50	mm
Magnet Weight	1100	g
Flux Density.....	0.92	T
Weight.....	3.60	Kg

ELECTRICAL CHARACTERISTICS		
Nominal Impedance.....	8	Ω
Musical Power	300	W
Rated Power*	150	W
Sensitivity @ 1 W, 1 m	91.6	dB

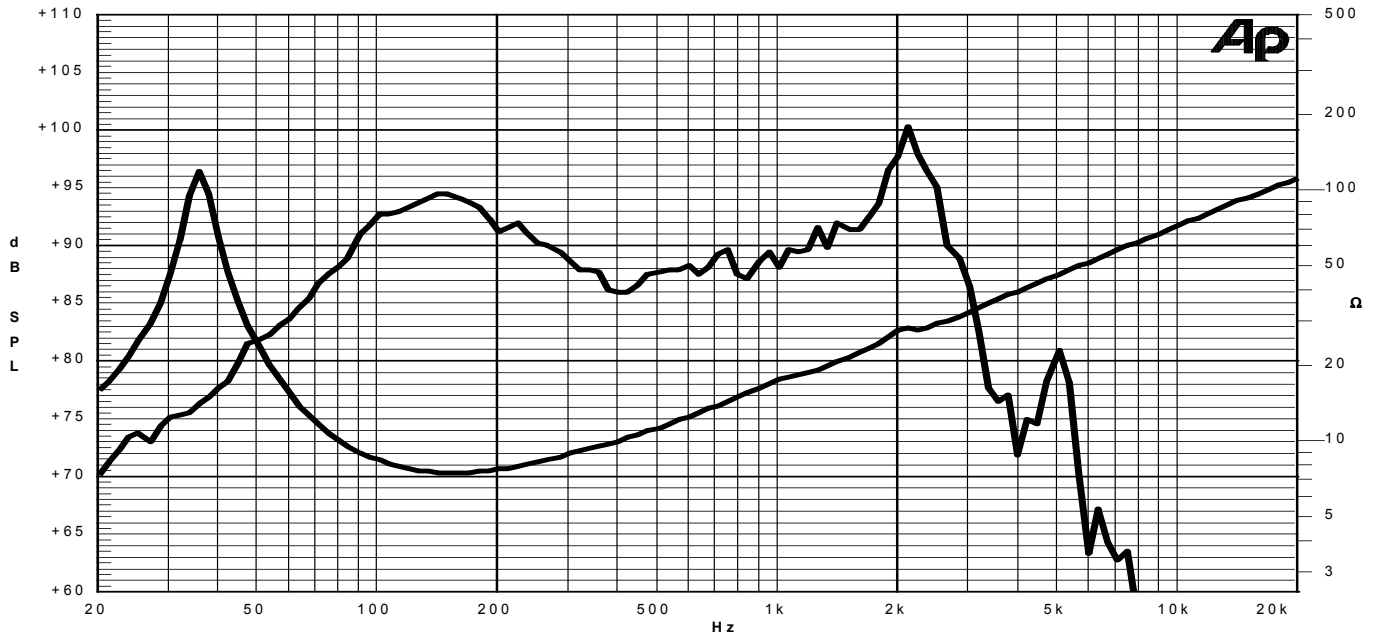
THIELE-SMALL PARAMETERS		
Voice Coil DC Resistance	R_E	6.20 Ω
Resonance Frequency	f_s	36.0 Hz
Mechanical Q Factor.....	Q_{MS}	9.76
Electrical Q Factor.....	Q_{ES}	0.41
Total Q Factor	Q_{TS}	0.38
Mechanical Moving Mass	M_{MS}	46.4 g
Mechanical Compliance	C_{MS}	427 μm/N
Force Factor	$B \times l$	12.60 Wb/m
Equivalent Acoustic Volume.....	V_{AS}	65.4 lt.
Maximum Linear Displacement	X_{MAX}	+/-6.0 mm
Reference Efficiency	η_0	0.87 %
Diaphragm Area	S_D	330.0 cm ²
Losses Electrical Resistance.....	R_{ES}	114.0 Ω
Voice Coil Inductance @ 1kHz	L_E	2.00 mH



CONSTRUCTIVE CHARACTERISTICS	
Magnet.....	Ferrite
Voice Coil Winding.....	Copper
Voice Coil Former.....	Epotex
Cone	Paper
Surround.....	Rubber
Dust Dome	Solid Paper
Basket	Pressed Sheet Steel

*rated power measured with 2 hours test with pink noise signal, 6 dB crest factor, loudspeaker mounted on enclosure

Frequency Response on IEC Baffle (DIN 45575) @ 1 W, 1 m - Impedance



Due to continuing product improvement, the features and the design are subject to change without notice.

16/06/05