

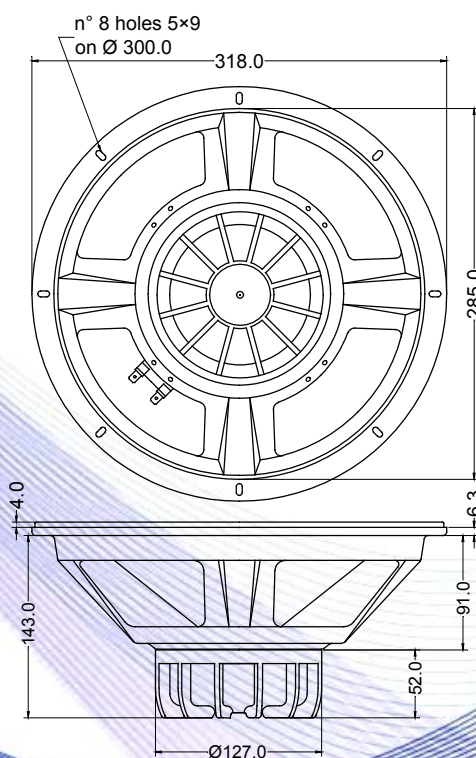
- 3" voice coil Kapton former aluminium wire
- Ventilated voice coil to reduce power compression
- Neodymium magnet circuit
- 97.4 dB sensitivity



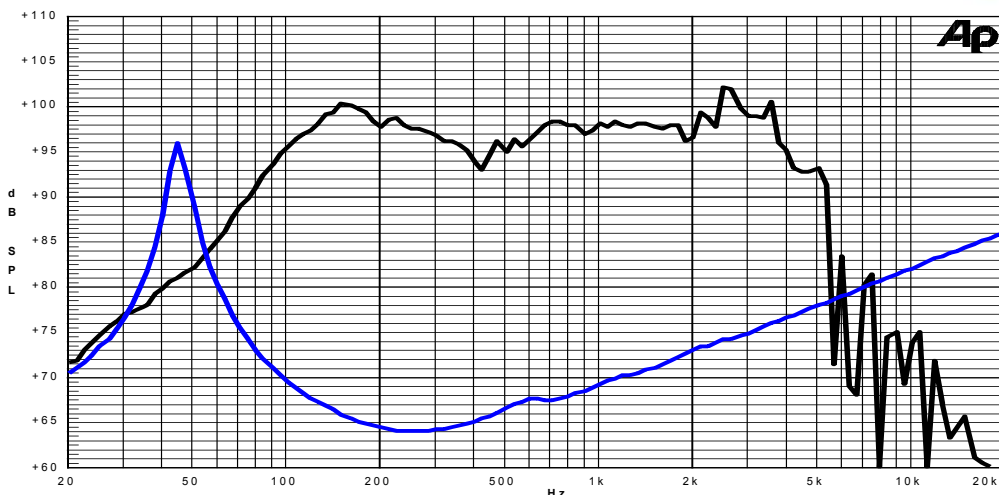
Specifications	
Nominal Diameter	318mm (12")
Nominal Impedance	4Ω
Rated Power AES ⁽¹⁾	350W
Continuous Program Power ⁽²⁾	700W
Sensitivity @ 1W/1m ⁽³⁾	97.4dB
Voice Coil Diameter	75mm (3")
Voice Coil Winding Depth	19mm
Magnetic Gap Depth	10mm
Flux Density	1.13T
Magnet Weight	360g
Net Weight	3.25kg

Thiele & Small Parameters ⁽⁴⁾			
Re	3.06Ω	Fs	47.0Hz
Qms	13.22	Qes	0.28
Qts	0.28	Mms	55.3g
Cms	207µm/N	Bxl	13.26Tm
Vas	71.0l	Sd	490.9cm ²
X max ⁽⁵⁾	+/-4.7mm	X var ⁽⁶⁾	+/-7.2mm
η ₀	2.50%	Le (1kHz)	0.73mH

Constructive Characteristics	
Magnet	: Neodymium
Basket Material	: Pressed Sheet Steel
Voice Coil Winding Material	: Aluminium
Voice Coil Former Material	: Kapton
Cone Material	: Paper
Cone Treatment	: No
Surround Material	: Treated Cloth
Dust Dome Material	: Solid Paper



Frequency Response on IEC Baffle (DIN 45575) @ 1W,1m – Free Air Impedance



- Note:
- 1 : Rated Power measured with 2 hours test with pink noise signal, 6dB crest factor, loudspeaker mounted on enclosure
 - 2: Power on Continuous Program is defined as 3 dB greater than the Rated Power
 - 3: Calculated by Thiele & Small parameters
 - 4: Thiele & Small parameters measured with laser system without preconditioning test
 - 5: Measured with respect to a THD of 10% using a parameter-based method
 - 6: Value corresponding to a decay of the Force Factor, or Compliance, or both, equal to the 50% of the small signal value.
 - 7: Drawing dimensions: mm
 - 8: The notch around 400Hz on the frequency response is typical of the measurement on IEC baffle