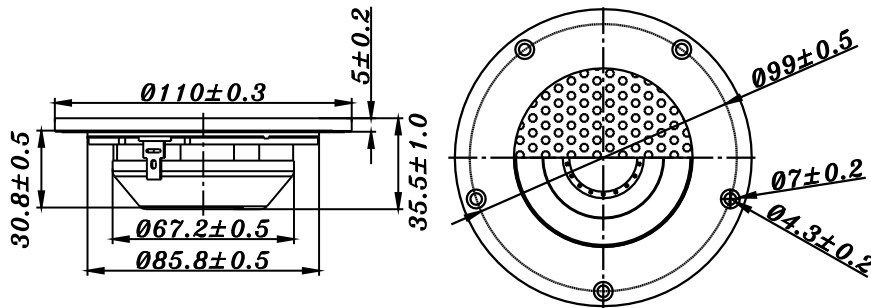


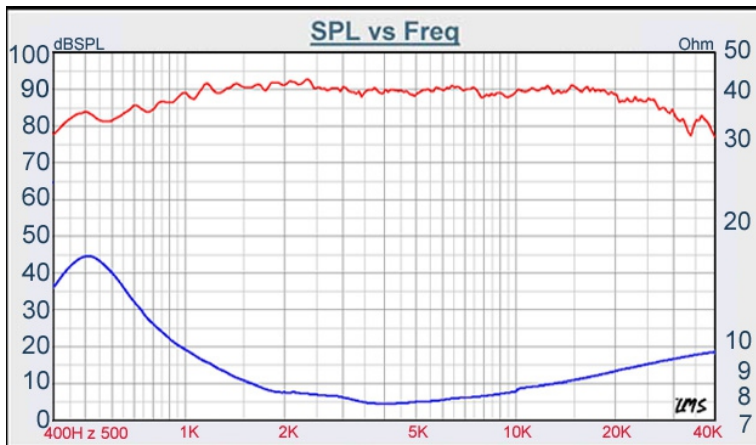
TW SERIES

25-1983



- REVERSE COATED TITANIUM DOME DIAPHRAGM WITH FOAM RUBBER SURROUND
- FERROFLUID COOLED
- NEODYMIUM MAGNET SYSTEM, HIGH SPL OF 90dB/M/W
- ALUMINIUM FRONT PANEL
- VERY WIDE DISPERSION ANGLE
- FREQUENCY RESPONSE OF 500Hz - 40K Hz
- SHORT RING TREATED, VERY LOW 2nd and 3rd DISTORTION

1" TITANIUM DOME / NEODYMIUM TWEETER



| | |
|-----------------------|-----------------|
| DIAPHRAGM MTL | Coated Titanium |
| SURROUND MTL | Foam Rubber |
| NOMINAL IMPEDANCE | 8 Ω |
| DCR IMPEDANCE | 6 Ω |
| SENSITIVITY 1W/1m | 90 dB |
| FREQUENCY RESPONSE | 500Hz - 40K Hz |
| FREE AIR RESONANCE | 500 Hz |
| VOICE COIL DIAMETER | 25.4 mm |
| AIR GAP HEIGHT | 2.5 mm |
| RATED POWER INPUT | 8 W |
| MAXIMUM POWER INPUT | 80 W |
| FORCE FACTOR, BL | N/A |
| TYPE OF MAGNET | Neodymium |
| MOVING MASS | N/A |
| FERROFLUID ENHANCED | Yes |
| SUSPENSION COMPLIANCE | N/A |
| EFFECTIVE PISTON AREA | N/A |
| Levc | 0.004 mh |
| ZO | 18 Ω |
| X-max | N/A |
| Vas | N/A |
| Qts | N/A |
| Qms | N/A |
| Qes | N/A |

VOICE: 886.2.26570282 FAX: 886.2.26580166
E-MAIL: info@tb-speaker.com