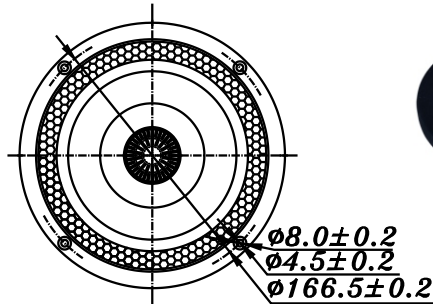
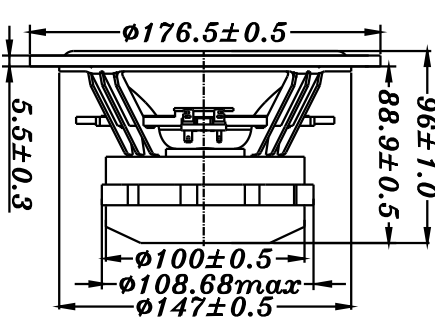


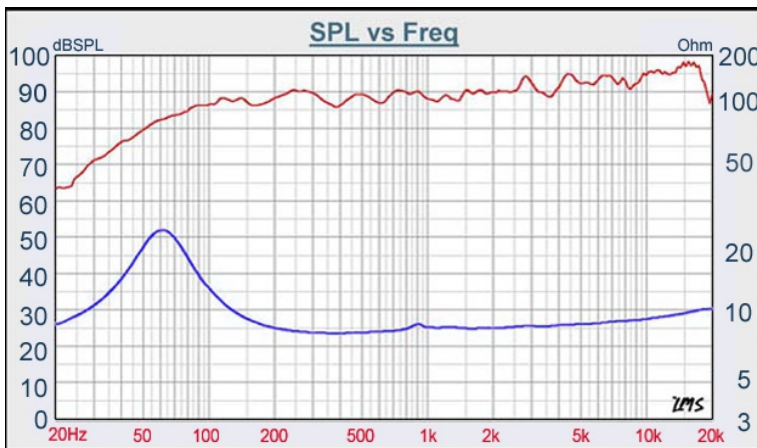
# F SERIES

# W6-1916



- 6.5" OF FULL RANGE SPEAKER DESIGN
- NEODYMIUM MAGNET, UNDERHUNG DESIGN, ALUMINUM PHASE PLUG
- VERY LOW THD (2<sup>nd</sup> AND 3<sup>rd</sup> HARMONIC DISTORTION)
- SPL=91dB/M/W, QTS=0.46
- BAMBOO FIBER PAPER CONE WITH DURABLE STRUCTURED SANTOPRENE SURROUND

## 6.5" PAPER FULL RANGE



DIAPHRAGM MTL	Paper
SURROUND MTL	Structured Santoprene
NOMINAL IMPEDANCE	8 Ω
DCR IMPEDANCE	6.8 Ω
SENSITIVITY 1W/1m	91 dB
FREQUENCY RESPONSE	60 - 20K Hz
FREE AIR RESONANCE	60 Hz
VOICE COIL DIAMETER	38.5 mm
AIR GAP HEIGHT	14 mm
RATED POWER INPUT	30 W
MAXIMUM POWER INPUT	60 W
FORCE FACTOR, BL	5.79 TM
TYPE OF MAGNET	Neodymium
MOVING MASS	8.07 g
FERROFLUID ENHANCED	No
SUSPENSION COMPLIANCE	851.404 $\mu\text{MN}^{-1}$
EFFECTIVE PISTON AREA	0.014 M <sup>2</sup>
Levc	0.016 mH
Zo	23 Ω
X-max	5.0 mm
Vas	23.7 Litr
Qts	0.46
Qms	1.82
Qes	0.62

# TB SPEAKERS

VOICE:886.2.26570282 FAX:886.2.26580166  
E-MAIL :info@tb-speaker.com