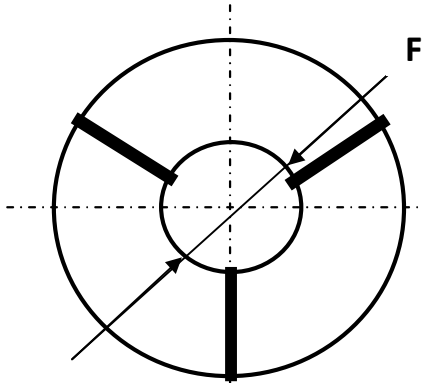


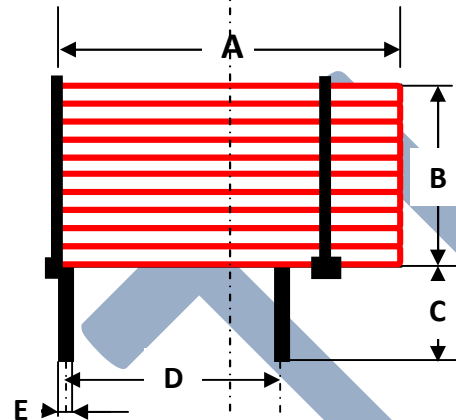
L10-0.47

Geometrical Dimensions



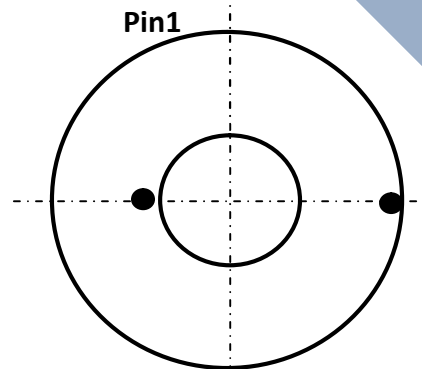
	A	B	C	D	E	F
Dimensions (mm)	37.80	18.40	50	20	1.0	18.6
Tolérance (mm)	+/- 1.0	+/- 1.0	+/- 1.0	+/-0.5	+/- 0.5	+/- 0.2

Material & Construction



Winding	N1 = 159 turns, Enamaled copper wire, Φ 1.0mm Φ 1.0 mm, Grade 2, Class H, V180
Pin 1 and 2	Must be tinned over length " C "
Number collier	"3" collar maintains
Varnish	Varnish for maintaining turns and unwinding

Electrical Parameters



	Value	Tolérance	Testcondisiton
Inductance (mH)	0.47	+/- 3%	1 kHz, 1V, 20C°
DC Resistance (Ω)	0.31	+/- 3%	20C°, 4 wires

Real Air Core TLHP L10-0.47

SARL SON LUMIERE CONCEPT

10 RUE DU PASSAVENT - 35770 VERN SUR SEICHE

01

00

PG. 02/02/2014

Ind

UPDATE

Code :

Title : AUDIO SELF AIR COIL 0.33 mH – no coil former