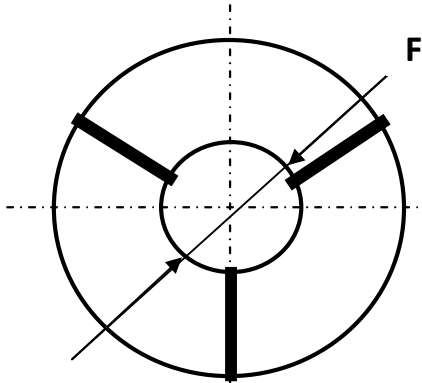


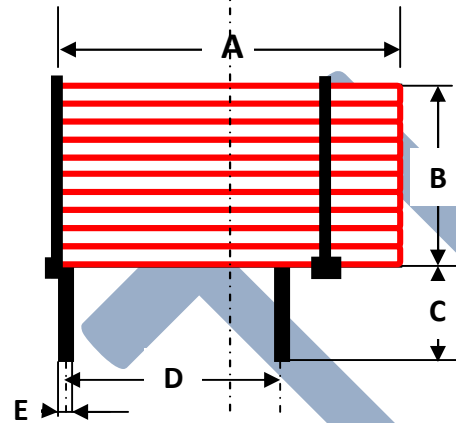
L10-3.9

Geometrical Dimensions



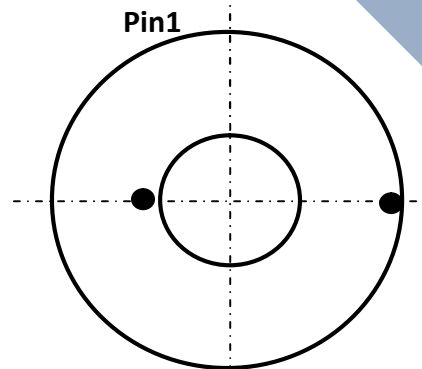
| | A | B | C | D | E | F |
|-------------------|---------|---------|---------|--------|---------|---------|
| Dimensions (mm) | 56.6 | 32.1 | 50 | 45.0 | 1.0 | 31.4 |
| Tolérance (mm) | +/- 1.0 | +/- 1.0 | +/- 1.0 | +/-0.5 | +/- 0.5 | +/- 0.2 |

Material & Construction



| | |
|-----------------------|---|
| Winding | N1 =374 turns, Emailed copper wire, Φ 1.0mm Φ 1.0 mm, Grade 2, Class H, V180 |
| Pin 1 and 2 | Must be tinned over length " C " |
| Number collier | "4" collar maintains |
| Varnish | Varnish for maintaining turns and unwinding |

Electrical Parameters



| | Value | Tolérance | Testcondisiton |
|--|-------|-----------|-----------------|
| Inductance (mH) | 3.90 | +/- 3% | 1 kHz, 1V, 20C° |
| DC Resistance (Ω) | 1.0 | +/- 3% | 20C°, 4 wires |

Real Air Core TLHP L10-3.9

SARL SON LUMIERE CONCEPT

10 RUE DU PASSAVENT - 35770 VERN SUR SEICHE

01

00

PG. 02/02/2014

Ind

UPDATE

Code :

Title : AUDIO SELF AIR COIL 0.33 mH – no coil former