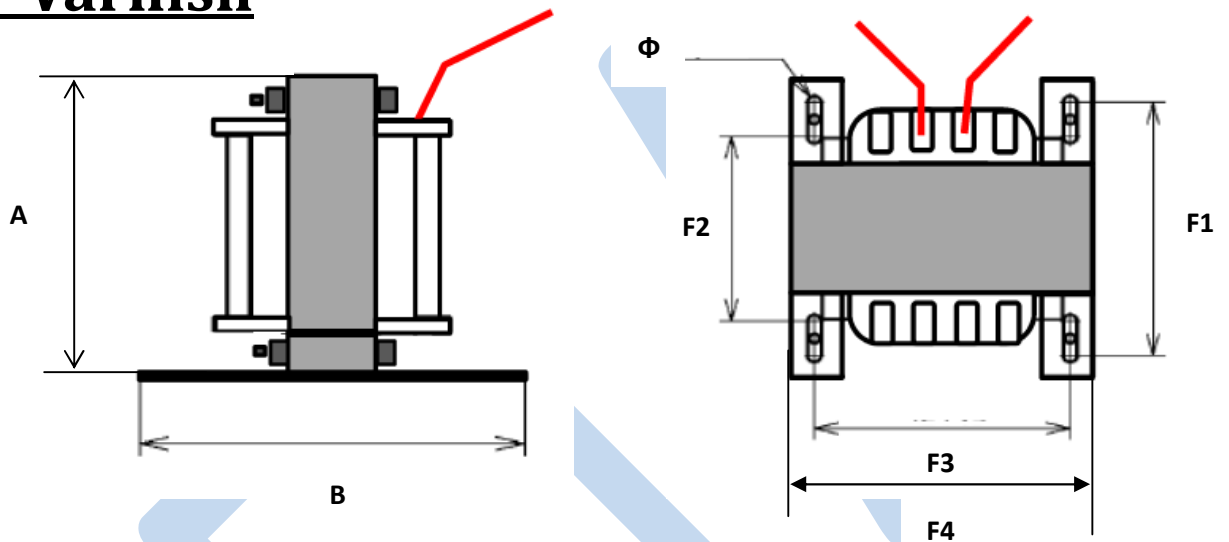




FERON-Core coil

SELF FERRON-Core
TLHP T16-6.8

Self Varnish



CODE	A	B	F1	F2	F3	F4	Φ	Φ/fil	RCC	CIRCUIT
SF75/4.0/160	63.5	72	55.5	62	62.5	75	4.8	1.80	0.11	EI75

Courant de saturation (50 Hz) : 6.3 A

		FERON-CORE Coil / SELF FER : 6.8 mH	
01			
00	PG. 01/07/2014		
Ind	UPDATE	Code : SELF FERRON	Title : AUDIO SELF FERRON-CORE-Coil T16-6.8