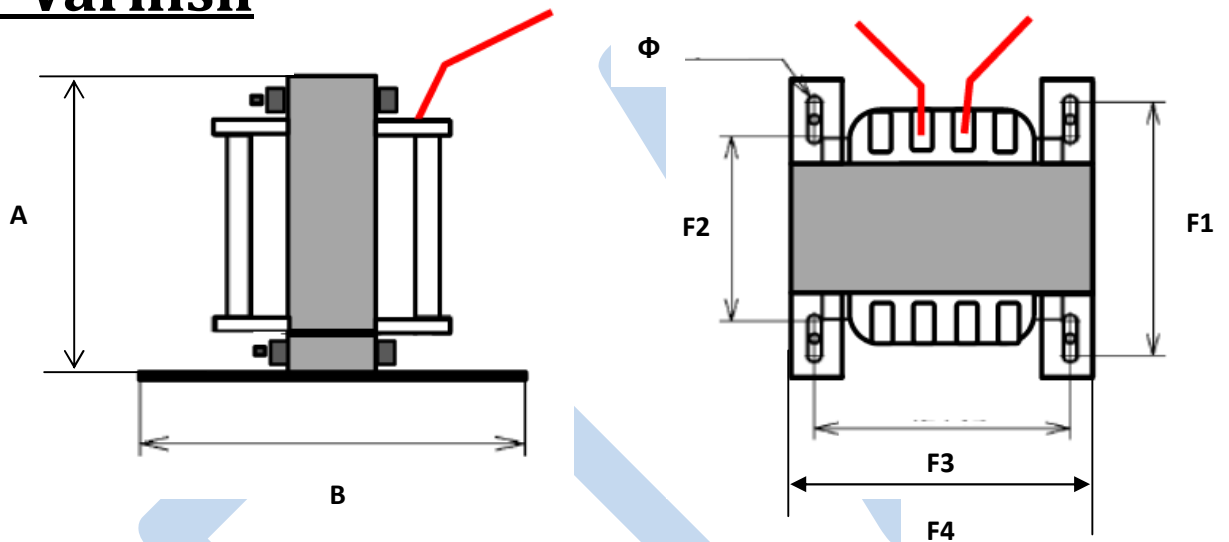




FERON-Core coil

SELF FERRON-Core
TLHP T18-4

Self Varnish



CODE	A	B	F1	F2	F3	F4	Φ	Φ/fil	RCC	CIRCUIT
T18-4	63.5	72	55.5	62	62.5	75	4.8	1.80	0.06	EI75

Courant de saturation (50 Hz) :

6.2 A

FERON-CORE Coil / SELF FER : 4.0 mH

01

00 PG. 01/07/2014

Ind UPDATE

Code : SELF FERON

Title : AUDIO SELF FERRON-CORE-Coil T18-4.0